

## 54-541 R and R actuator

### 54-541 Removal and installation of actuator

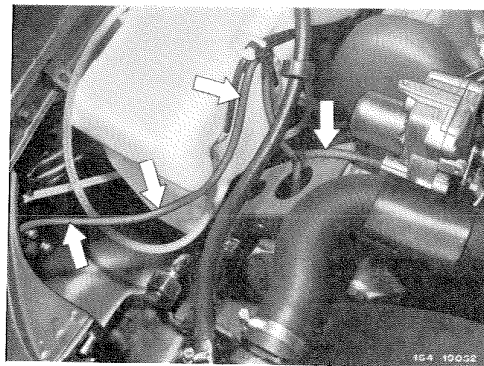
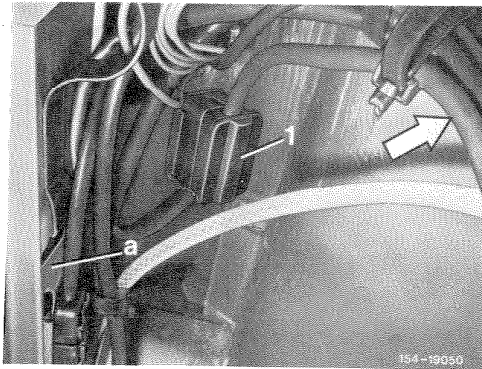
B. Models 107.025/026/045/046/047/048  
126.03/04

#### Removal

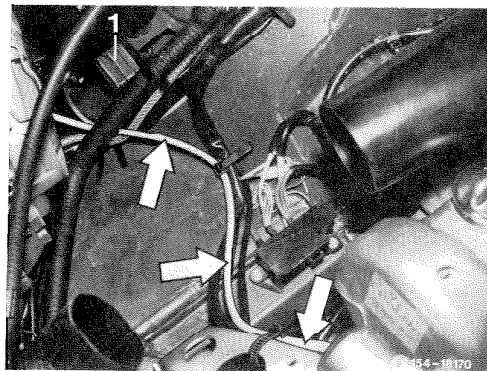
1 Separate plug connection (1) and loosen harness of actuator.

Models 107.025/026/045/046/047/048

- 1 Plug connection
- a Radiator supporting frame inside right



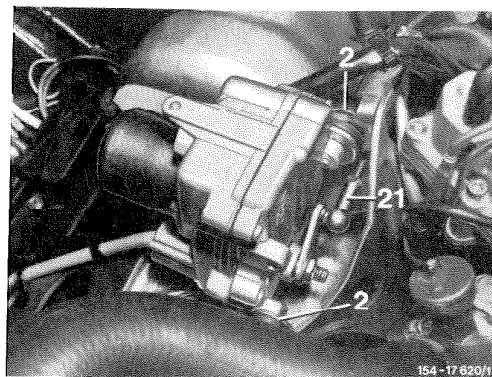
Models 107.025/026/045/046/047/048

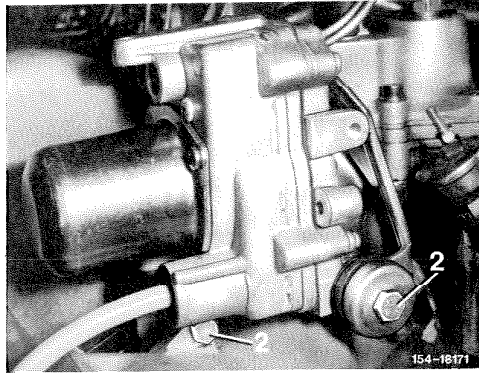


Models 126.03/04

2 Disconnect connecting rod (21) on actuator.

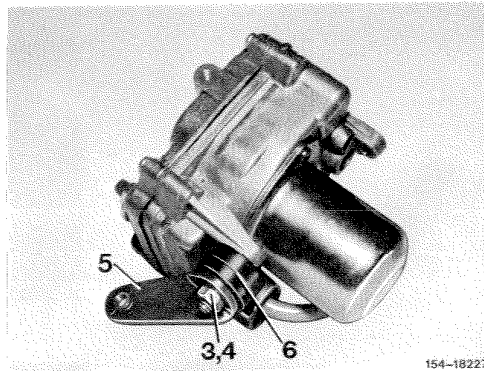
3 Unscrew screws (2) and remove actuator.





4 Loosen nut (3) with washer (4) for holder (5). Then unscrew rubber mount (6) with holder (5) from actuator.

5 Remove lever from actuator.



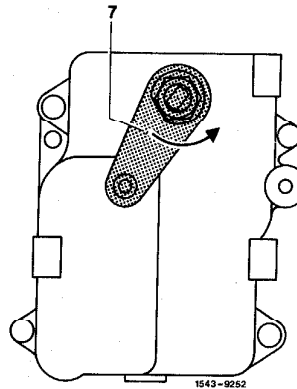
#### Installation

6 Turn output shaft of actuator opposite to direction of arrow against stop. Mount lever (7) and secure nut.

7 For Installation proceed vice versa. Make sure that rubber mount (6) is not distorted.

8 Adjust connecting rod (21) (54-561).

9 Perform function test on road.



## 54-541 R and R actuator

---

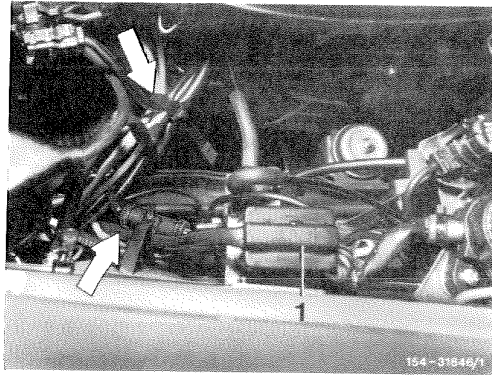
### Removal

---

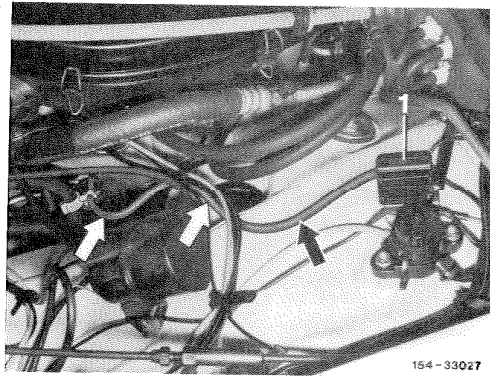
1 Remove air cleaner.

2 Separate plug connection (1) and loosen harness of actuator.

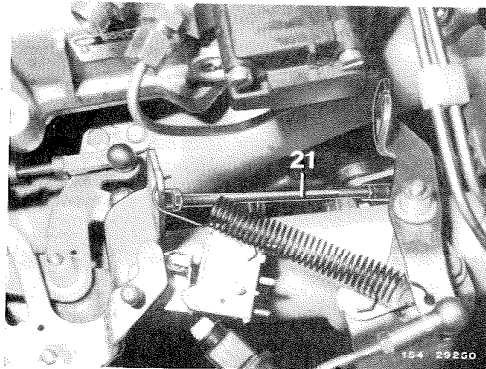
Model 107.041



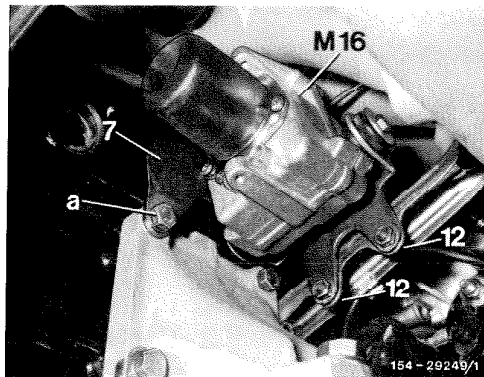
Models 126.020/024/025



3 Disengage connecting rod (21).



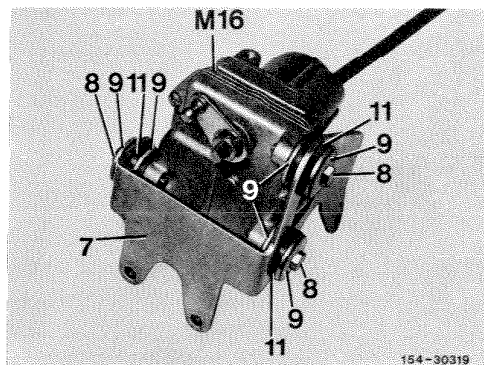
4 Unscrew screws (a and 12) and remove actuator (M 16) with holder (7).



Layout model 107

5 Unscrew screws (8) and remove holder (7) from actuator (M 16).

6 Remove lever from actuator.



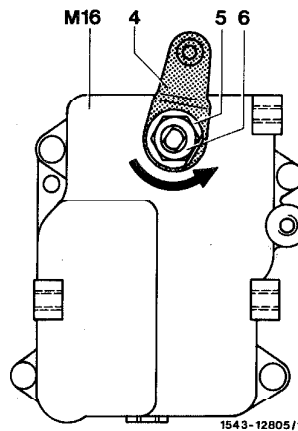
#### Installation

7 Turn drive shaft of actuator (M 16) against direction of arrow up to stop. Mount lever (4) and lock nut (6) with washer (5).

8 For installation proceed vice versa.

9 Adjust connecting rod (21) (54-561).

10 Perform function test on road.

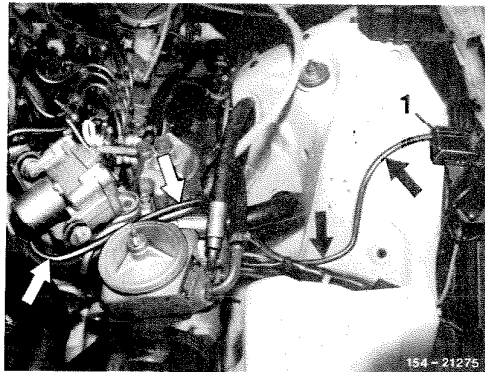


## 54-541 R and R actuator

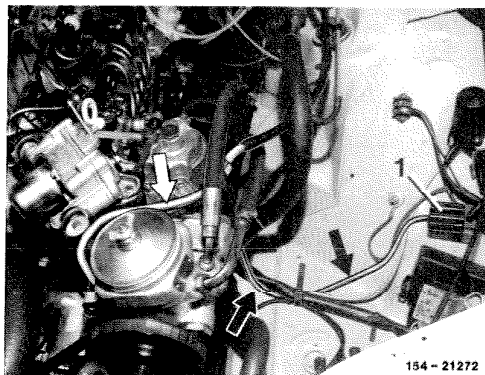
### Removal

- 1 Separate plug connection (1) and loosen harness of actuator.

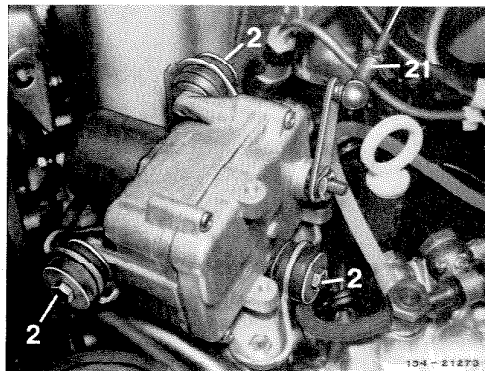
Model 123.13/15/19



Model 126.120

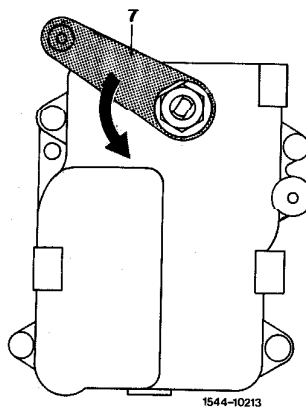


- 2 Disconnect connecting rod (21) on actuator.
- 3 Unscrew screws (2) and remove actuator.
- 4 Remove lever of actuator.



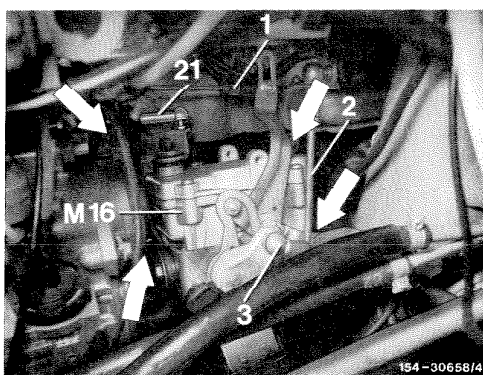
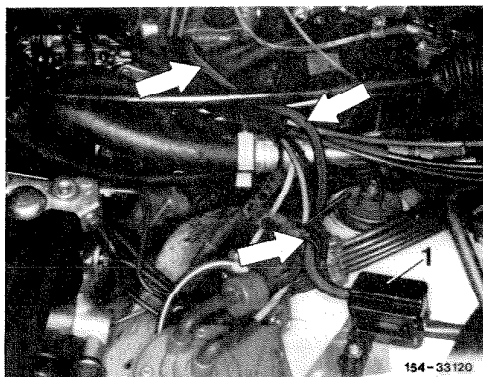
### Installation

- 5 Turn output shaft of actuator opposite to direction of arrow against stop. Mount lever (7) and secure nut.
- 6 For installation proceed vice versa.
- 7 Adjust connecting rod (21) (54-561).
- 8 Perform function test on road.

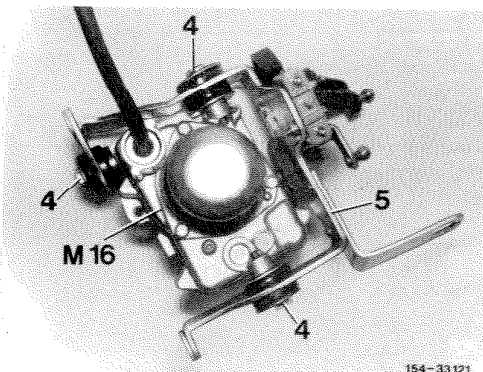


**Removal**

- 1 Remove air cleaner.
- 2 Separate plug connection (1) and loosen harness of actuator.
- 3 Disengage connecting rods (1, 2 and 21), as well as cable control (3).
- 4 Unscrew the four hex. socket screws (arrows) of holder fastening.
- 5 Remove actuator (M 16) with holder.



- 6 Unscrew screws (4) and remove holder (5) from actuator (M 16).
- 7 Remove lever from actuator.



**Installation**

- 8 Turn drive shaft of actuator opposite to direction of arrow against stop. Mount lever (7) and secure nut.
- 9 For installation proceed vice versa.
- 10 Adjust connecting rod (21) (54-561).
- 11 Perform function test on road.

